

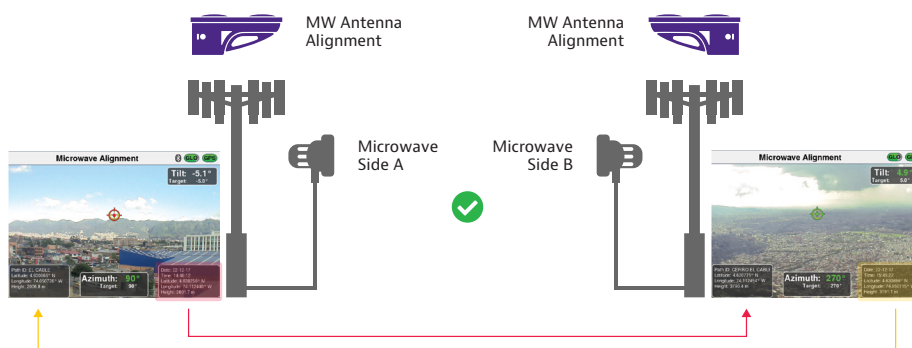
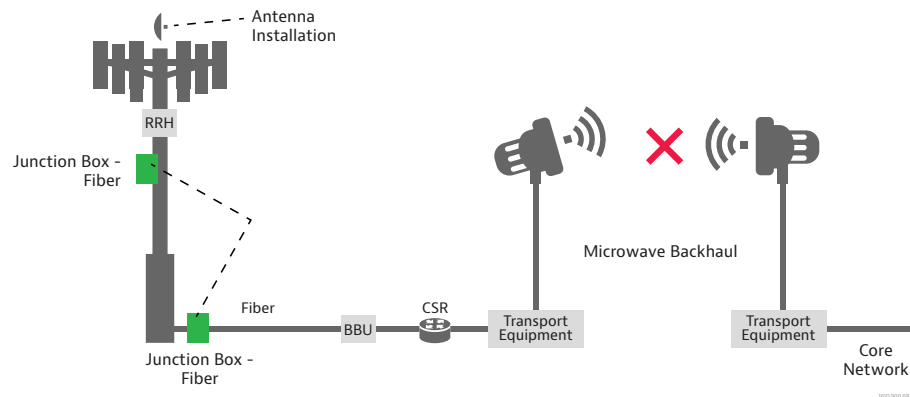
ENJOY THE BENEFITS OF A New RF Vision Antenna Alignment Tool



Microwave Alignment Promo

Save \$4,000 off MSRP with this offer

Accurate Alignment of Microwave Links is fundamental to Service Quality, Customer Satisfaction and Revenue Retention. RF Vision helps you quickly align microwave antennas onto the main lobe of the opposite side without requiring installation / activation of antenna radios, making optimization to RSSI easier, faster, and safer once the radios are installed.



Align your microwave link in less than half the time using 2 RF Visions simultaneously vs. requiring a single operator to climb both towers!

1. Side A input the location values shown in RF Vision attached on Side B
2. Side B input the location values shown in RF Vision attached on Side A
3. Perform the mechanical alignments



2-USER MICROWAVE PROMO

Includes:

- 2 X RF Vision 2000 kits
 - RF Vision Alignment Tool
 - Universal Strap Clamp
 - Soft Bag
 - Hard Case
 - Power Adapter & USB Cable
- 2 x Camera License
- 2 x Extended Lip Clamp
- 2 x Strap Extensions for large dishes

Terms and Conditions: This special offer is also available through authorized distributors. Orders must be placed by December 15, 2023. Units purchased directly from VIAVI must ship FCA Origin before December 19, 2023. This promotion offer applies globally for the specified date ranges. All currency is in US Dollars (USD). May not be combined with any other offers and may not be applied to previous orders. All purchases shall be subject to terms and conditions available at viavisolutions.com/terms. Other conditions may apply. VIAVI reserves the right to withdraw this promotion at any time, without notice and without any liability.

Must include promo code RFV-VS11390 with your purchase order.

Take advantage of this limited-time offer. Promo expires December 15, 2023.



Contact Us **+1 844 GO VIAVI**
(+1 844 468 4284)

To reach the VIAVI office nearest you, visit viavisolutions.com/contact

© 2023 VIAVI Solutions Inc. Product specifications and descriptions in this document are subject to change without notice. Patented as described at viavisolutions.com/patents rfvision-promo-microwave-align-fly-nsd-nse-ae 30193811 901 0923

viavisolutions.com