



# JDSU SmartClass™ Wireless Backhaul Bundle

## Save Time and Money on Wireless Backhaul Testing Using the JDSU SmartClass Wireless Backhaul Bundle

Wireless operators are migrating their networks to third generation (3G). Included in the migration are the new UMTS Radio Access Network (UTRAN) and a key network element known as the NodeB, which is located in cell sites and the Radio Network Controller (RNC), the counterpart of the Broadband Service Controller (BSC) in 2/2.5G networks.

As part of the migration, operators are adding Ethernet links between the NodeB and transport networks, leading to new test requirements, such as throughput and burst stability. Performance of basic physical and transport layer tests must follow installation of transport links at the NodeB. The new requirements must include tests for bit error rate (BERT), round-trip delay (RTD) measurements, and the verification of network operation in the presence of simulated alarms/errors or varying line rate frequencies (offset).

The JDSU SmartClass Wireless Backhaul Bundle, available for a limited time at a 35-percent discount, includes two SmartClass benchmarking test sets for fast and easy 3G installation testing:

### SmartClass E1

Economical and intuitive, the E1 test expert includes BERT, performance test, pulse shape, remote control, event log, and histogram.

### SmartClass Ethernet

Quickly verify 10/100 and GigE NodeB link performance and connectivity with throughput, RTD, and burst stability testing. The automated RFC-2544 test suite makes SmartClass Ethernet ideal for benchmarking the backhaul. Additional features include physical layer tests, VLAN, Q-in-Q support, and Layer 3 performance testing.

# JDSU SmartClass

## Wireless Backhaul Bundle

The SmartClass Wireless Backhaul Bundle offers technicians the following test advantages:

- Ready for your challenges: Ideally bundled for wireless operators or backhaul providers migrating from E1 to Ethernet, or wherever backhaul technologies are used.
- Ease of use: Designed for simplicity to suit workgroups covering 3G installations on E1 or Ethernet backhaul.
- Fast adoption and minimal training required: Intuitive SmartClass Ethernet user interface and keypad together with the included SmartClass Ethernet self-paced training CD facilitates quick study and use of the SmartClass Ethernet for backhaul testing.

This special offer is valid through December 2008 and cannot be combined with any other promotions or discounts. Refer to the SmartClass Wireless Backhaul bundle.

### Part/order numbers

SmartClass E1 Pulse Shape Package/CSC-E1-P3

SmartClass Ethernet Complete Package/CSC-ETHRP3

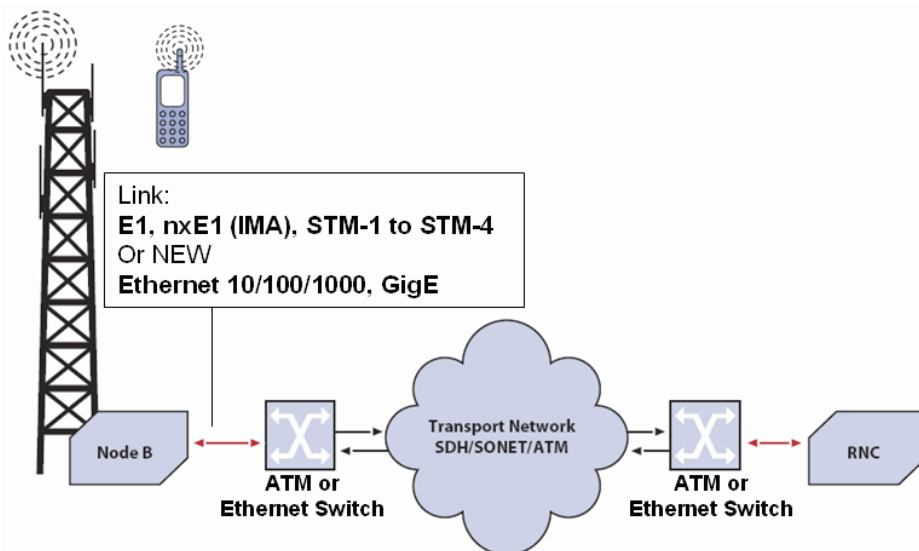


Figure 1: Transport link at the NodeB



**North America**  
Tel: 1 866 228 3762  
Fax: +1 301 353 9216

**Latin America**  
Tel: +55 11 5503 3800  
Fax: +55 11 5505 1598

**Asia Pacific**  
Tel: +852 2892 0990  
Fax: +852 2892 0770

**EMEA**  
Tel: +49 7121 86 2222  
Fax: +49 7121 86 1222