



# DSAM V4.0 Software Release

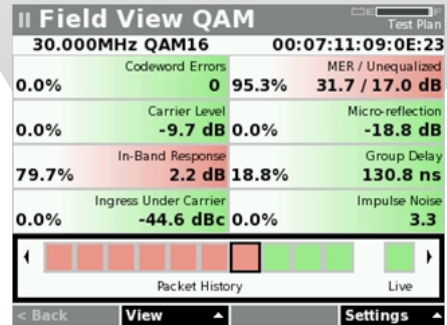
## MAP-200 Integrated Multi-Wavelength Wavemeter and High-Resolution Optical Spectrum Analyzer (OSA)

Increased exploitation of upstream spectrum indicates that spectrum-analysis-only-based tools are no longer sufficient for managing service/network maintenance. The biggest changes in the DOCSIS® 3.0 environment are crowded upstreams with wider carriers and higher-modulation quadrature amplitude modulation (QAM) carriers with increased sensitivity to impairments, requiring tools that can analyze live modem upstream performance outside of the HFC plant.

The distribution of services and content within the home also presents new challenges, especially surrounding use of technologies such as Multimedia over Coax Alliance (MoCA).

The next-generation of Digital Services Analysis Meter (DSAM) software brings a host of new capabilities to the already versatile DSAMXT family. It provides support for multiple new software options that address a range of issues concerned with physical layer verification and service distribution. Leveraging the developments of PathTrak™ QAMTrak™ and MACTrak™ technologies to deliver modem upstream performance information to the field with DSAM FieldView QAM™ makes troubleshooting modem issues a one-person job, reducing find and fix time and manpower overhead while improving and streamlining field operations. Innovations with inside/in-home wiring testing also enables the DSAM to now troubleshoot and validate inside wiring connectivity and quality in a fraction of the time using SmartID™ advanced coax probes. Mapping of connectivity, losses, and issues proves that the coax can support distribution technologies such as MoCA.

The V4.0 release also provides software options that support USB 802.11 a,b,g,n dongles for wireless survey to allow fault finding of service distribution via WiFi. Other available options support the JDSU MP-60 and MP-80 USB fiber optic power meters that enable technicians to verify the optic handoff at HFC nodes and FTtx ONTs.



### Key Benefits

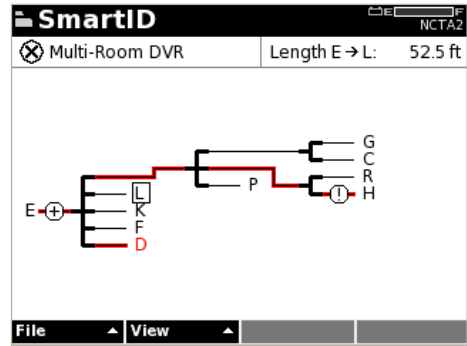
- Enables viewing upstream service impairments that spectrum analysis misses
- Enables one-person troubleshooting for in-home and HFC service issues
- Certifies in-home wiring for Triple-Play and MoCA® services to avoid repeat visits
- Drastically reduces investigation time and repair associated with inside/in-home wiring
- Protects revenue by lowering risk of customer churn due to repeat fault finding or repairs
- Lowers OpEx by reducing repeat truck rolls

### Applications

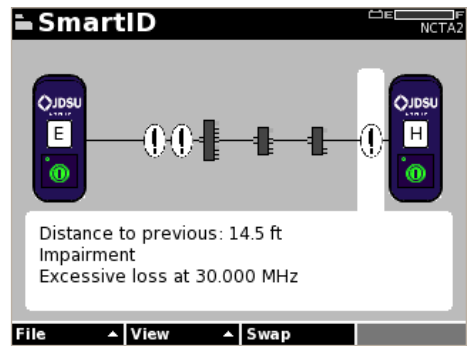
- Quickly segment faults from customer premises versus HFC
- Verify inside wiring (quality and topology) and service distribution (WiFi and MoCA)
- Troubleshoot live modems (in-band and in-service)
- Detect codeword errors and extract MAC addresses
- Verify the optic-coax handover



DSAM with FieldView QAM Screen



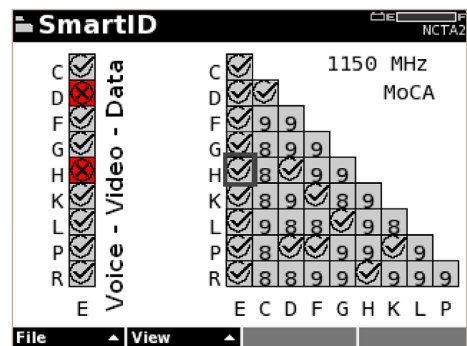
Coax wire mapping



Fault location



MP-60 and MP-80 USB fiber optic power meter



Certifying triple play and MoCA



Contact Us **+1 844 GO VIAVI**  
(+1 844 468 4284)

To reach the Viavi office nearest you,  
visit [viavisolutions.com/contacts](http://viavisolutions.com/contacts).

© 2015 Viavi Solutions, Inc.  
Product specifications and descriptions in this  
document are subject to change without notice.  
dsamv4sw-pb-cab.-tm-ae  
30168422 900 0511