

DTS MPEG-2 Transport Streams over DVB-Terrestrial COFDM Broadcast Analysis

Realtime monitoring and testing



Key Features

- Supports DVB-T COFDM modulation scheme per EN 300 744
- Complete real-time analysis and monitoring to verify stream contents, service information per EN 300 468, PIDs, rates, timing parameters, TR 101 290 measurements, and MIP data per TS 101 191. Event logs, triggers and reports for baselining and comprehensive monitoring
- Modular mainframe allows for easy interchange of multiple interfaces. Access MPEG streams at traditional, RF, or Data test points, and test both the MPEG and carrier signals
- Identify problems and collect evidence of faulty equipment or content to maximize response and resolution from vendors and content providers
- Monitor both sides of your Terrestrial Broadcast service (i.e. COFDM and ASI) with the same equipment
- RF measurements for correlation between MPEG and RF layer issues
- Easy-to-use graphical interface minimizes training requirements

JDSU is proud to introduce the DVB-T Coded Orthogonal Frequency Division Multiplexing (COFDM) terrestrial broadcast interface into the ever-popular DTS MPEG Analyzer. The DVB-T COFDM interface displays useful information about the RF and modulation parameters of the broadcast signal in addition to the in-depth transport stream analysis functions. The DVB-COFDM interface provides the broadcast engineer with a convenient interface that works with hierarchical modulation in multi-frequency and single frequency networks to gain visibility into the underlying “content” or MPEG-2 protocol layer, ensuring programming content and other parameters, such as PCR (timing) data, PSI/SI (table) data, MHP, and DVB-T Mega-frame Initialization Packet information.

Call JDSU today for a demonstration or for more product information.

Specifications
General Specifications

Dimensions	5.5 x 14.5 x 1.2 in (PIM)
Weight	1 lb (PIM)
RF Interface	
RF Interface Type	75 ohm, F connector
Input Return Loss	>6 dB
Tunable Frequency Range	0 to 870 MHz
Channel Bandwidth	7 or 8 MHz, selectable
Maximum Input Signal Level	≤-10 dBm
Nominal Input Level	-30 dBm
COFDM Demodulation	
Modulation	QPSK, 16-QAM, 64-QAM (hierarchical, non-hierarchical)
FFT Length	2000/8000
Code Rates	1/2, 2/3, 3/4, 5/6, 7/8
Guard Interval Factor	1/4, 1/8, 1/16, 1/32
Reed-Solomon	188, 204 byte packets
Mode Detection	Automatic detection from TPS data

COFDM Status Display

- Demodulator Lock and FEC Lock Indicators
- TPS Data Display
- Estimated Channel Power
- Signal-to-Noise Ratio
- Modulation Error Ratio
- Bit Error Rate
- Pre- and Post-FEC Bit Error Rates
- Reed-Solomon Uncorrectable Errors
- Constellation Diagram

Standards Compliance

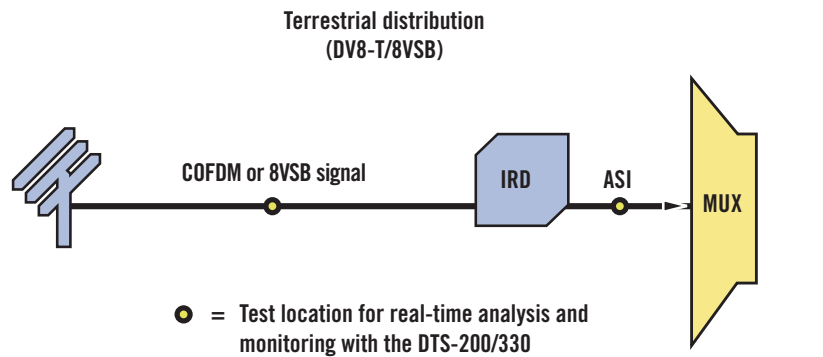
- [1] ETSI EN 300 744 Digital Video Broadcasting (DVB): Framing structure, channel coding, and modulation for digital terrestrial television
- [2] TR 101 190 Digital Video Broadcasting (DVB): Implementation guidelines for DVB terrestrial services transmission aspects
- [3] ETSI EN 300 468 Digital Video Broadcasting (DVB): Specification for Service Information (SI) in DVB systems
- [4] ETSI TS 101 191 Digital Video Broadcasting (DVB): DVB mega-frame for Single Frequency Network (SFN) synchronization
- [5] ETSI TR 101 290 Digital Video Broadcasting (DVB): Measurement guidelines for DVB systems

Ordering Information
COFDM Application Module

DTS-200 MPEG Analyzer COFDM Interface Module 7553/91.26	7553/91.26
DTS-200 MPEG Analyzer 8VSB Interface Module	7553/91.22
DTS-330 MPEG Analyzer COFDM Interface Module 7554/91.24	17554/9224
DTS-330 MPEG Analyzer 8VSB Interface Module	17554/9221

Additional Application modules available

DTS-200 ASI Analyzer 7553/91.07	7553/91.07
DTS-200 ASI Analyzer/Recorder 7553/91.09	7553/91.09
DTS-200 Gigabit Ethernet Analyzer 7553/91.19	7553/91.19
DTS-200 MPEG Analyzer QAM-8Mhz Interface Module 7553/91.42	7553/91.42
DTS-200 MPEG Analyzer Satellite Interface Module 7553/91.11	7553/91.11
DTS-200 MPEG Analyzer 8VSB Interface Module 7553/91.22	7553/91.22
DTS-330 ASI Analyzer 7554/92.10	17554/9210
DTS-330 ASI Analyzer/Recorder 7554/92.50	17554/9250
DTS-330 Gigabit Ethernet Analyzer 7551/92.80	17554/9280
DTS-330 MPEG Analyzer QAM-8Mhz Interface Module 7554/92.82	17554/9282
DTS-330 MPEG Analyzer Satellite Interface Module 7554/92.71	17554/9271
DTS-330 MPEG Analyzer 8VSB Interface Module 7554/91.20	17554/9221



All statements, technical information and recommendations related to the products herein are based upon information believed to be reliable or accurate. However, the accuracy or completeness thereof is not guaranteed, and no responsibility is assumed for any inaccuracies. The user assumes all risks and liability whatsoever in connection with the use of a product or its application. JDSU reserves the right to change at any time without notice the design, specifications, function, fit or form of its products described herein, including withdrawal at any time of a product offered for sale herein. JDSU makes no representations that the products herein are free from any intellectual property claims of others. Please contact JDSU for more information. JDSU and the JDSU logo are trademarks of JDS Uniphase Corporation. Other trademarks are the property of their respective holders. ©2005 JDS Uniphase Corporation. All rights reserved. 30137384 501 0706 DTSCOFDM.DS.CAB.TM.AE

Test & Measurement Regional Sales

NORTH AMERICA TEL: 1 866 228 3762 FAX: +1 301 353 9216	LATIN AMERICA TEL: +55 11 5503 3800 FAX: +55 11 5505 1598	ASIA PACIFIC TEL: +852 2892 0990 FAX: +852 2892 0770	EMEA TEL: +49 7121 86 2222 FAX: +49 7121 86 1222	WEBSITE: www.jdsu.com
---	--	---	---	------------------------------