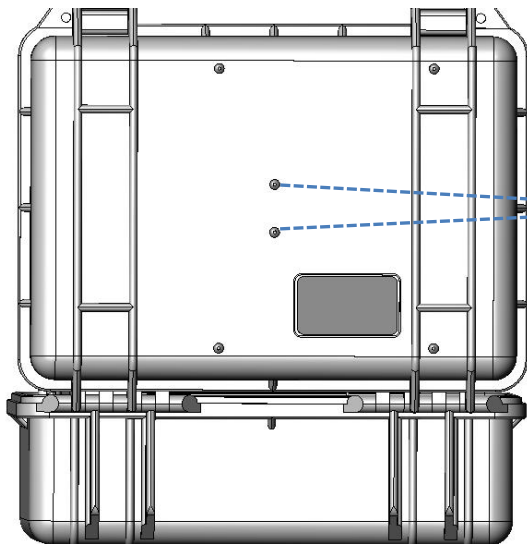
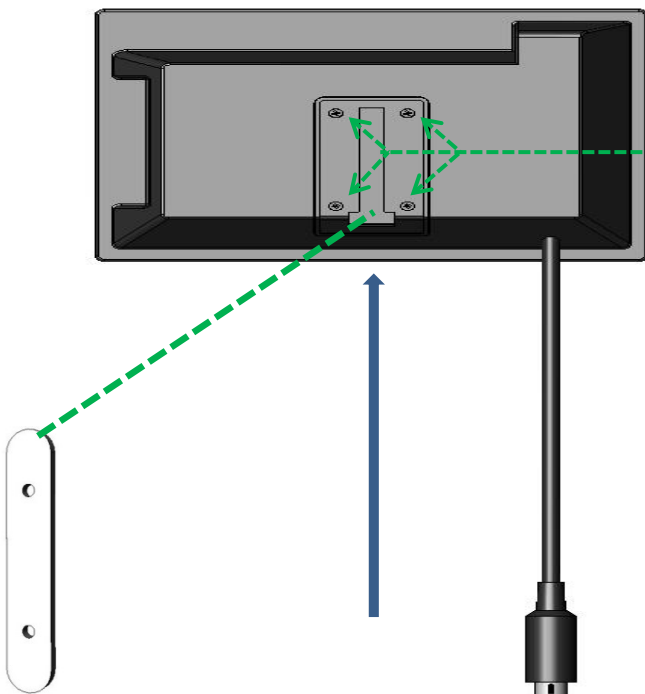


Installation Instructions for Mounting of the VM-LCD-64 Video Monitor into the Portable CleanBlast Case



Use a 3/32" Hex Driver to remove and install the 8-32x0.38 BSC SC QTY-2

Remove the two screws and mounting bar from case lid



If the mounting bar is too tight for the Slot you can loosen the four Philips screws enough to allow mounting bar to slide into the LCD's back plate. Then retighten screws on LCD Back plate

Slide the Mounting bar into the slot on the Back of the LCD- Place LCD-64 into the inside of the case lid. Tighten the QTY:2 of the 8-32x0.38 BSC SC to hold screen to the lid and tighten fully. Verify that the Screen is working properly by plugging in the DIN Connector and probe to the unit.