

Central Nodes

For NITRO Core

Application and KPI Database Nodes



NITRO® Core Central Nodes use VIAVI-patented innovation to:

- Enable real-time, scalable, and intelligent network monitoring and analytics.
- Provide real-time actionable insights
- Store and serve up real-time and historical KPI performance data
- Store and serve up solution telemetry and analytics data
- Manage system configuration and topology

Key Benefits

- Visibility into network performance
- Visibility into subscriber application experience, voice quality experience and QoS
- Significantly lower cost than traditional monitoring solutions for the same visibility and throughput levels
- Significantly lower cost than traditional protocol analysis tools without reducing insight

Key Features

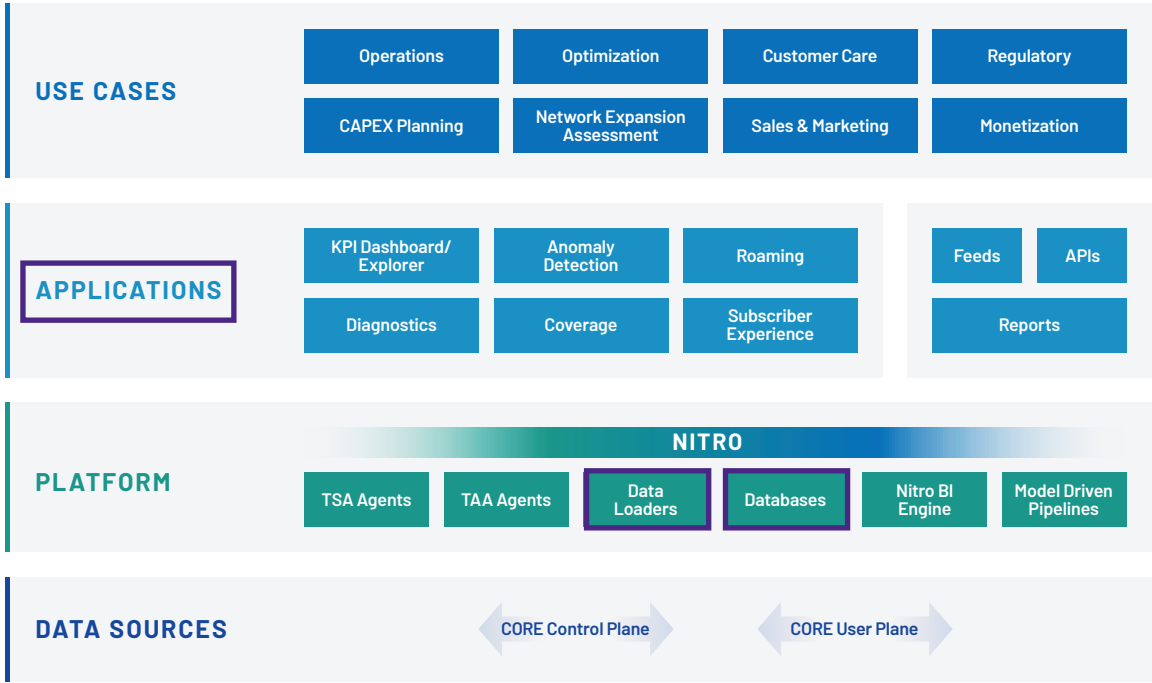
- High performance, compact form factor
- Application support for multiple concurrent users
- Data loaders which can load KPI data into the KPI database faster than traditional solutions
- Scalable KPI database technology that can be deployed in a clustered configuration with node redundancy
- Database KPI data aggregation and rollups from minute data to hourly and daily data tables
- Telemetry dashboards present historical and real-time status information

Use Cases

- Monitor mobile network, service, and customer performance in real time
- Troubleshoot mobile network, service, and customer performance faults

NITRO Core Portfolio

NITRO Core by VIAVI addresses mobile service provider challenges with an innovative approach to delivering analytics and assurance for modern mobile networks. It focuses on a subscriber-centric approach, providing service-focused, proactive, and unified workflows that deliver correlated, app-aware insights.



NITRO Core Portfolio Overview

High-Performance Application Node

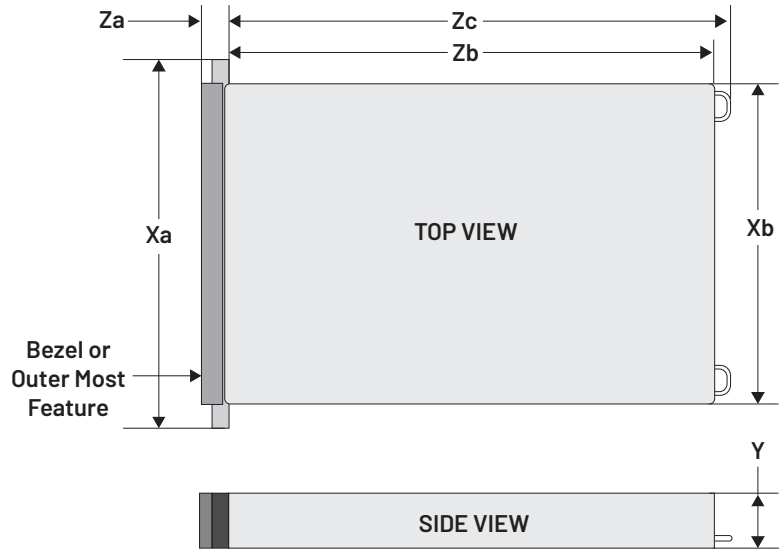
The **NITRO Core Application Node** is responsible for managing system topology and configuration. It hosts application software and web server, delivering web-based applications to multiple users. KPI data is retrieved from the KPI Database Cluster and presented through the user interface for monitoring and analysis.

Scalable KPI Database Nodes

The **NITRO KPI Database Nodes** are deployed in a **cluster configuration**, with a minimum of three nodes to ensure **redundancy and high availability** in the event of a node failure. These nodes store both **real-time and historical KPI data**, supporting performance monitoring and analysis. KPI data is automatically aggregated over time, rolling up from **minute-level granularity** to **hourly** and then to **daily tables** for efficient storage and retrieval.

NITRO Core Central Node Specifications

Physical Parameters		
Appliance information	Size	1U (dimensions below)
	Weight (maximum)	22.51 kg (49.62 lbs)
	Power	2 AC PSU (1100 W) / 4100 BTU/hr 2 DC -48 V (1100 W) / 4625 BTU/hr
Product Numbers		J9020A-1AC/1DC Multi-function Application
		J9025A-1AC/1DC Gen 2 Data Platform Cluster
		J9026A-1AC/1DC Gen 2 Data Platform Cluster [14TB]
Technology Support		2G, 3G, 4G (LTE), 5G, VoLTE/IMS, VoNR



Xa	Xb	Y	Za with bezel	Za without bezel	Zb	Zc
482 mm	434 mm	42.8 mm	35.84 mm	22 mm	751.47 mm	787.04 mm

Ordering Information

Please contact your VIAVI representative for more information or for ordering assistance.



Contact Us: +1 844 GO VIAVI | (+1 844 468 4284). To reach the VIAVI office nearest you, visit viasolutions.com/contact