

# LGX Optical Modules

In-service, out-of-band fiber monitoring



LGX optical modules enable testing fibers that are bearing traffic with an OTDR by inserting an out-of-band wavelength (1625 or 1650 nm).

The OTDR signal is added to the data signal by using a wavelength division multiplexer (WDM). At the other fiber extremity, a filter blocks the OTDR signal. When OTDR measurement range can cover more than one fiber span, a bypass can extend the OTDR signal to the adjacent span.

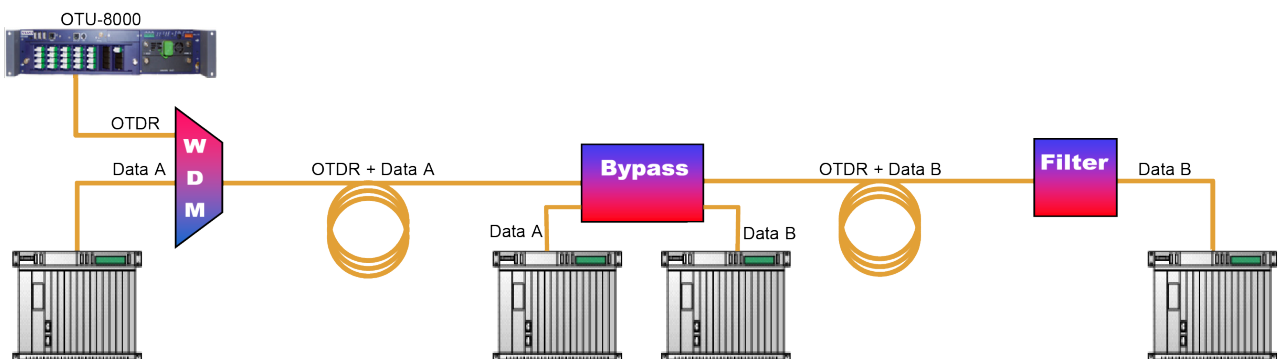
With low insertion loss, a flat passband and exceptional reliability and environmental stability, the modules are well suited for in-service fiber test applications. They install in minutes, without tools, in any LGX-compatible shelf or fiber-distribution panel.

### Key Features

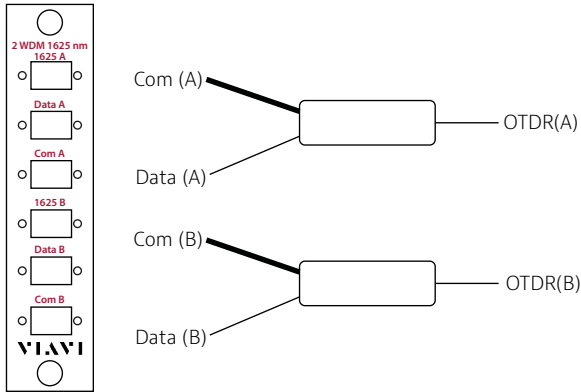
- Low insertion loss
- Wide and flat passband
- Exceptional reliability and environmental stability
- Excellent temperature stability
- Install in minutes

### Applications

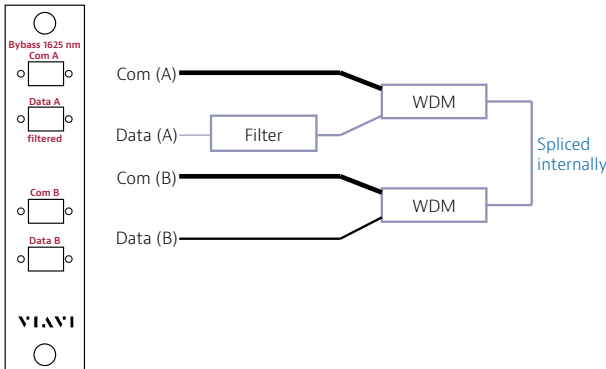
- Remote fiber test system
- In-service fiber monitoring



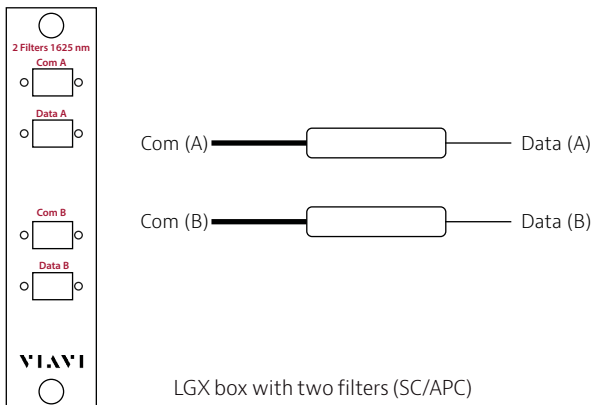
## LGX Optical Modules



LGX box with two WDM (SC/APC)



LGX box with one bypass (SC/APC)



LGX box with two filters (SC/APC)

## Specifications

Parameter	WDM	Bypass	Filter
Power handling	500 mW		
Connectors	SC/APC		
Components per box	2	1	2
<b>Data Wavelength Range: 1290 – 1580 nm/OTDR: 1625 nm</b>			
Insertion loss <sup>1</sup>	1.1 dB	Side A: 1.5 dB	1.1 dB @1290 – 1570 nm
		Side B: 1.1 dB	
Isolation <sup>2</sup>	15 dB	Side A: 50 dB @1625nm	35 dB @1625 nm
		Side B: 15 dB	
<b>Data Wavelength Range: 1260 – 1620 nm/OTDR: 1650 nm</b>			
Insertion loss <sup>1</sup>	1.1 dB	Side A: 1.5 dB	1.1 dB
		Side B: 1.1 dB	
Isolation <sup>2</sup>	15 dB	Side A: 55 dB @1650 nm	40 dB @1650 nm
		Side B: 15 dB	

1. Insertion loss with connectors (maximum value, Com to Data).
2. Isolation (minimum value, Com to Data).

## Ordering Information

For more information on this or other products and their availability, please contact your local VIAVI account manager or VIAVI directly at 1-800-498-VIAVI (5378) in North America and +800-5378-VIAVI worldwide or via e-mail at [customer.service@VIAVI.com](mailto:customer.service@VIAVI.com).

Description	Part Number
LGX box with two 1625 nm WDM (SC/APC)	E98LGX2W162SA
LGX box with one 1625 nm bypass (SC/APC)	E98LGX1BP162SA
LGX box with two 1625 nm filters (SC/APC)	E98LGX2F162SA
LGX box with two 1650 nm WDM (SC/APC)	E98LGX2W165SA
LGX box with one 1650 nm bypass (SC/APC)	E98LGX1BP165SA
LGX box with two 1650 nm filters (SC/APC)	E98LGX2F165SA
1RU, 3-slot LGX-compatible rack-mount shelf	E98RKLGX103
2RU, 6-slot LGX-compatible rack-mount shelf	E98RKLGX206
4RU, 12-slot LGX-compatible rack-mount shelf	E98RKLGX412



Contact Us **+1 844 GO VIAVI**  
(+1 844 468 4284)

To reach the Viavi office nearest you,  
visit [viavisolutions.com/contacts](http://viavisolutions.com/contacts).

© 2017 Viavi Solutions Inc.  
Product specifications and descriptions in this document are subject to change without notice.  
e98lgx1625-ds-cms-nse-ae  
30175970 001 1017