

VIAVI

Multi-Fiber MPO based Switch Module

All-in-one integrated solution automating OTDR tests of native MPO and high fiber count cables

Well suited for use in high-density fiber environments, multi-fiber MPO cables eliminate the expense of running individual patch cords for each service turn-up. The use of an on-board MPO switch with an OTDR is the best way to quickly and accurately test individual fibers within MPO cables.

Characterize individual fibers within high fiber count cables. Easily pinpoint exact locations and characterize each event throughout a complete fiber link.

Certify new installations up to industry standards. Eliminate time consuming task of testing each individual fiber and the complexities of using fan-out/break-out cables.

Troubleshoot issues at the press of a button. Speed fiber fault location with precise localization of issues like severe bends, high-loss splices and dirty or poor connections.



Multi-Fiber MPO based Switch Module



T-BERD/MTS-4000 V2 Two-slot handheld modular platform for testing fiber optic networks



OneAdvisor 800 Modular Test Platform designed for the installation and maintenance of wireline and wireless networks

Benefits

- Save time for all your high fiber count cable characterization, certification and troubleshooting
- Measure with confidence with reduced manual process and complexity

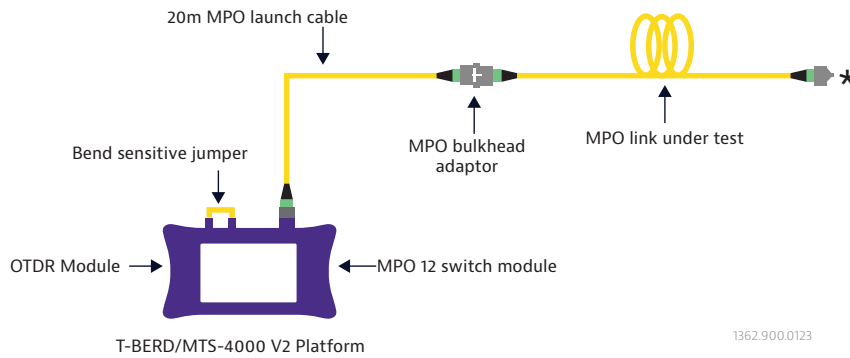
Features

- All in one / integrated solution
- Replaces multi-fiber fanout patchcords where native MPO links installed
- Efficient workflow with automated switching over 12 ports through Cable-SLM software
- Compatible with all 4100 series OTDR A, B, and FiberComplete B modules

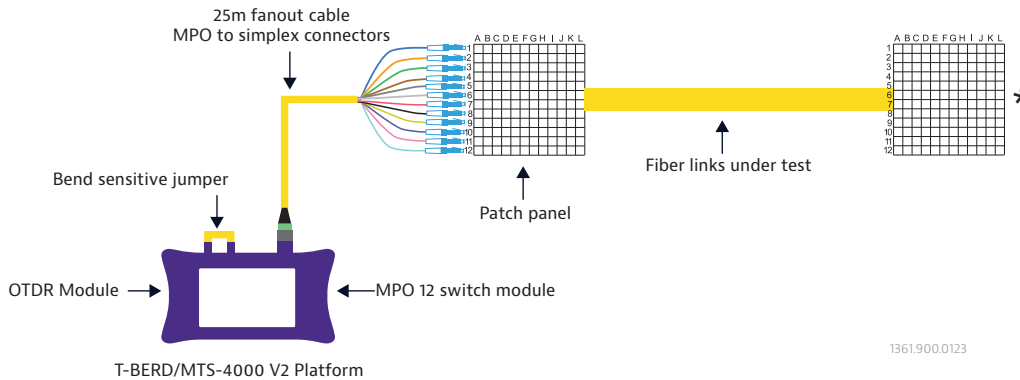
Applications

- Data Center (structured cabling, campus, interconnect)
- FTTH (fiber indexing) /Access Networks
- Mobile Fronthaul (FTTA/C-RAN)

- An onboard MPO based switch for certifying native MPO links

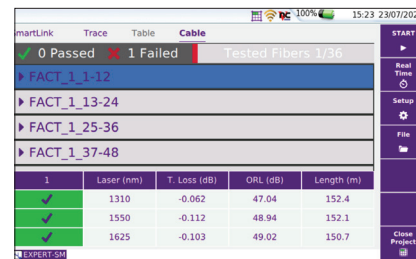


- An onboard MPO based switch module with fanout/breakout cable for batch certification of multiple fibers

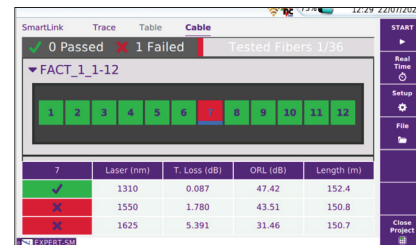


* Receive cable can be installed at the far end to characterize the last connector.

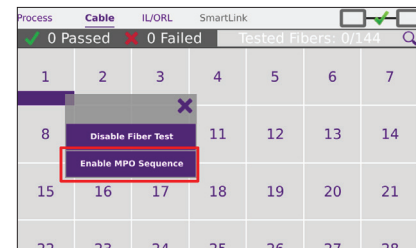
- Cable-SLM application with an intuitive interface provides an overview of a full project with pass/fail status of each 12-fiber MPO connector tested



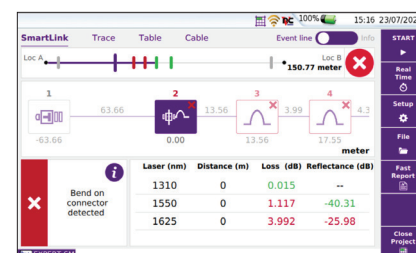
- A "Test All Fibers" function that initiates a fully automated test sequence and delivers a visual verdict of each individual fiber of a 12-fiber MPO connector



- Batch certify simplex fibers within high fiber count cables, manage groups of 12 fibers with a switch sequence starting at any fiber number needed with the Cable-SLM "simple fiber" project management



- Possibility to troubleshoot a specific fiber and get a precise diagnostic of the fault



Specifications (Typical at 25°C)

Optical	
Wavelength Range	1270 nm to 1650 nm
Insertion Loss ^{1, 2}	1.2 dB typical
Input Port	SC / APC
Output Port	MPO 12 APC (pinned)
General	
Dimensions (w x h x d)	128 x 134 x 40 mm (5 x 5.28 x 1.58 in)
Weight	450 g (1 lb)
Operating Temperature	-10 to +50°C (14 to 122°F)
Storage Temperature	-20 to +60°C (-4 to 140°F)

¹Measured at 1310, 1550 and 1625nm

²2.5 dB maximum

Ordering Information

Part Number	Description
MPO Switch Module and Kit	
E41MPO12SM	MPO 12 switch module for T-BERD/ MTS-4000 V2 Platform Includes: <ul style="list-style-type: none"> • 1x 30cm SC/APC to SC/APC bend insensitive jumper • 1x 30cm SC/APC to SC/PC bend insensitive jumper • CABLE-SLM software license automatically activated
MPO12MODKIT-SM	MPO 12 switch module kit for T-BERD/ MTS-4000 V2 Platform Includes: <ul style="list-style-type: none"> • 1x E41MPO12SM • 2X 20m SM launch and receive MPO to MPO cables (pinned-unpinned) • 2x MTP/MPO bulkhead adapter with opposed key
Accessories	
ELCSM25A-MPOF-MPOM	1x 20m SM MPO unpinned to MPO pinned launch cable
ELCSM25A-MPOF-MPOF	1x 20m SM MPO unpinned to MPO unpinned cable
EMPOTERM-F	SM MPO unpinned reflective terminal for ORL reference
EMPOTERM-M	SM MPO pinned reflective terminal for ORL reference
ELCSM25-MPO-SC	1x 25m SM fanout launch cable MPO unpinned to SC/PC
ELCSM25-MPO-SCA	1x 25m SM fanout launch cable MPO unpinned to SC/APC
ECLIKCLEANERMPO	IBC Cleaning Tool for MTP/MPO connectors



Contact Us **+1 844 GO VIAMI**
(+1 844 468 4284)

To reach the VIAMI office nearest you,
visit viasolutions.com/contact

© 2023 VIAMI Solutions Inc.
Product specifications and descriptions in this document are subject to change without notice.
Patented as described at
viasolutions.com/patents
m-p-o-d-s-f-o-p-n-s-e-a-e
30186213 904 0123

viasolutions.com