

VIAVI

Multiple Application Platform

MAP-200

The VIAVI Multiple Application Platform (MAP-200) is an optical test and measurement platform optimized for cost-effective development and manufacturing of optical transmission network elements.

Today's rapidly changing optical market requires investment in productivity-enhancing technologies and tools, making the MAP-200 scalable test platform the right tool needed in even the most stringent environments.

Based on its previous generation, the MAP-200 builds on the differentiation of offering the broadest portfolio of modules in the densest and most configurable platform. The MAP-200 is optimized for test applications in lab and manufacturing environments ranging from insertion loss testing to dispersion penalty testing (see Table 1).

Passives	Lasers and Amplifiers	Optical Transport
<ul style="list-style-type: none"> • Insertion Loss • Polar Dependent Loss • Return Loss 	<ul style="list-style-type: none"> • Gain Flattness • Output Power • Transient Response • Spectral Width • Side-Mode Suppression Ratio • Wavelength • NF and OSNR 	<ul style="list-style-type: none"> • Stress Reliever Compliance • Jitter Testing • Sensitivity • Dispersion Penalty • SMSR • Receiver Overload • Eye Mask/Extinction Ratio • OSNR Sensitivity

Table 1. List of MAP-200 applications by technology.



Benefits

- Available in three mainframe configurations
- GPIB- and LXI-compliant (Ethernet)
- Optional 10.4-inch touch-screen-display module with integrated keypad and scroll wheel
- DVI port for external display
- USB-device ports for external keyboard and mouse
- Modules can be safely hot-swapped
- Field-replaceable controller/power-supply module
- Compatible with current MAP modules

Applications

- Enables transceiver and transponder testing
- Permits comprehensive passive and active component, laser, and amplifier testing
- Facilitates 10 G and 40 G system and subsystem testing

Compliance

- Optical source modules, when installed in the MAP Mainframe, meet the requirements of standard IEC 60825-1(2002) and comply with CFR 1040.10 except deviations per Laser Notice No. 50, July 2001 Key Feature Number 4
- CSA/UL/IEC 61010-1
- LXI Class C compliant

Multiple MAP-200 Mainframe Configurations

The MAP-200 mainframe comes in three configurations for optimal test set adaptability: a three-slot configuration and a 19-inch rack, eight-slot configuration oriented as either front- or rear-facing for optimal fiber routing. All three configurations are 3 RU high. The MAP-200 mainframes include hardware required for bench-top use, including rubber feet for optimal stability and vibration isolation. Furthermore, the MAP-200 saves costs because users can share modules within a mainframe.

High-Performance MAP-200 Modules

The MAP-200 modules include 16 high-performance types including signal conditioning and switching, sources and amplification, and power meters.

MAP power meters increase absolute power measurement accuracy over a wide range of power and wavelengths with a broad combination of fiber types and connectivity options optimized for both datacom and telecom applications. High-speed data logging lets users make transient measurements.

MAP amplifiers meet the broadest optical-signal-amplification applications and available at various saturated output power, gain flattened or non-gain flattened, C-band, L-band, and with a low noise figure.

MAP attenuators provide the highest performance optical power control solution because they offer the lowest insertion loss, highest input-power capability, low polarization-dependent loss (PDL), high dynamic range, and ultra-flat attenuation over wavelength.

MAP tunable filters provide the lowest loss and narrowest bandwidth filter with the highest input-power capability in the industry.

MAP switches are the most configurable optical signal routing solutions in their class and are available in configurations including low-channel-count matrix (2x2) and single input to multiple outputs ranging from 2 to 50. In the 1x2 and 2x2 format, the modules have up to eight switches per single-slot module.

MAP sources are ideal for applications requiring a stable stimulus for parametric measurements and are available at key telecom wavelengths, with broad or narrow spectral bandwidth, or with tunable spectrum.

Other MAP-200 functions include a variable backreflector, a polarization controller, and utility modules.



Figure 1. Keypad/display module

As Figure 2a shows, the MAP-230 mainframe can be used with the MAP-200KD module mounted on top of it. The pop-out feet on the mainframe let users position it in a front-facing manner for optimal viewing and interaction.



Figure 2a. Mounting the MAP-200KD on the MAP-230 is the optimal configuration for applications where users frequently require GUI access.

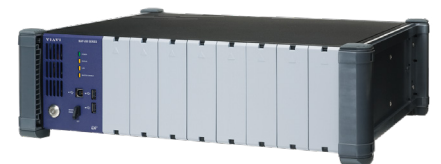


Figure 2b. Configuring the MAP-200KD next to the MAP-280 is optimal for applications where users require access to the device under test, the MAP-200 modules, and the GUI.

Elaborate local interface and friendly GUI

The graphical user interface (GUI) and local control of the MAP-200 mainframes work with standard universal serial bus (USB) keyboards, USB mice, and digital video interface (DVI) monitors. For added convenience and flexibility, VIAVI offers an optional purpose-built keypad/display module (MAP-200KD) for local control capabilities, as shown in Figure 1. The MAP-200KD features a scroll wheel, seven soft keys, five navigation buttons, and seven pre-assigned buttons for use in navigating the GUI. Touch capability and user-friendly controls come standard for operation at the touch of a finger or with the supplied stylus. Located at the back of the MAP-200KD module is an industry-standard mounting port compatible with commercially available display mounts or the purpose-built MAP-200 keypad display 19-inch rack-mount kit (MAP-200A09). Alternatively, users can access the GUI using a PC via a virtual network connection (VNC) client.

Extensive Input/Output Interfaces

The MAP-200 is a USB-, general-purpose interface bus (GPIB)-, and Ethernet-enabled device that supports the latest test equipment interface standard, LXI, which is the Ethernet-based successor to GPIB. The LXI standard defines devices using open-standard for system inter-device communication.

All mainframe configurations include:

- GPIB, Ethernet, and USB device ports for remote communication
- 4 USB host ports for installing peripheral devices, including USB drives, a mouse, and a keyboard
- LXI-compliant trigger bus connections
- Ethernet reset button
- laser interlock key in the front and a remote interlock connector in the rear
- LXI-compliant light-emitting diodes (LEDs) on the front panel
- DVI connector for an external monitor.

Standard Compliant Automation Drivers

MAP-200 has intuitive, optimized interchangeable virtual instrument (IVI) drivers for ease of use with popular application-development environments, such as LabVIEW, Visual C++, Visual Basic, and LabWindows™, provide full control of the modules and drop-in instrument programming capabilities. These capabilities let test programmers focus on test-level functions and sequences rather than the details required to communicate with the specific modules in the MAP system. The IVI drivers provide a simulation mode that lets automation developers capture system configurations so they can perform most of their development off line, freeing hardware for other purposes. These features make test automation development and debugging fast and easy.

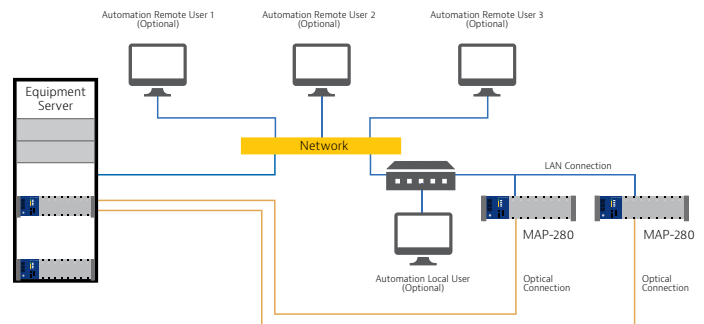


Figure 3. MAP implementation within a shared-resource environment

Specifications

Mainframe	MAP-230	MAP-280	MAP-280R
Capacity	3 modules	8 modules	8 modules
Controller			
CPU	Power PC architecture		
Operating System	System Linux		
Internal Storage	200 MB user flash storage		
Interfaces			
Remote interface	USB, GPIB, Ethernet 10/100/1000Base-T		
USB device compatibility	Mouse, keyboard, memory stick		
Display External	MAP-200KD (optional) or standard DVI monitor		
Ports			
USB host ports	2 rear and 2 front		
USB device ports	1 front		
LAN	1 rear		
GPIB	1 rear		
DVI video	1 rear		
LXI triggers	25-pin Micro-D connectors		
Automation			
Driver type	IVI-compliant		
Driver compatibility	LabVIEW, LabWindows, Visual C++, Visual Basic		
Accessibility	Multi-user sharing support		
Electric and Safety			
Power ¹	100 to 200 V AC, 50/60 Hz, Auto-switching (field-replaceable as part of the power supply controller module)		
Power consumption	285 VA		
Local interlock	Key located in front		
Remote interlock	Terminals located in rear		

Mechanical and Environment²			
Rack-mount kit	Optional	Included	Included
Dimensions (W x H x D) ³	29.2 x 14.9 x 42.0 cm (11.5 x 5.9 x 16.6 in)	49.6 x 14.9 x 42.0 cm (19.6 x 5.9 x 16.6 in)	
Weight	5.9 kg (13 lb)	6.8 kg (15 lb)	
Operating temperature	0 to 50°C		
Storage temperature	-30 to 60°C		
Humidity	15–80% RH, 0 to 40°C noncondensing		
MAP-200BKD Display			
Dimensions	10.4-inch color screen		
Resolution	800 x 600 resolution		
Power	Supplied from mainframe via MAP-200A01 Keypad/Display Cable Harness Kit		
Weight	1.8 kg (4 lb)		

1. The MAP-200 system has been tested and certified to an altitude of 2,000 m.
2. Main supply voltage fluctuation must not exceed 10% of nominal supply voltage.
3. Dimensions include bench-top mounting hardware.

Ordering Information

For more information on this or other products and their availability, please contact your local VIAVI account manager or VIAVI directly at 1-844-468-4284 or via e-mail at customer.service@viavisolutions.com.

Description	Part Number
Mainframes (Required)	
MAP-200 8-slot mainframe	MAP-280
MAP-200 8-slot mainframe factory-reversed configuration	MAP-280R
MAP-200 3-slot mainframe	MAP-230B
Power Cords (Required)	
Australia/China power cord	CORD-AU
European power cord	CORD-EU
Japan power cord	CORD-JP
United Kingdom power cord	CORD-UK
United States power cord	CORD-US
Accessories (Optional)	
MAP-200 stand-alone keypad/display module	MAP-200BKD
MAP-200BKD keypad/display cable harness kit	MAP-200A01
MAP-200 8-slot mainframe 19-inch rack-mount kit	MAP-200A03
MAP-200 adaptor kit for single width MAP modules (requires one kit per device)	MAP-200A013
MAP-200 adaptor kit for double width MAP modules (requires one kit per device)	MAP-200A013D
MAP-200BKD keypad/display module rack-mount kit	MAP-200B09
MAP-200 3-slot mainframe 19-inch rack-mount kit	MAP-200A10

Replacement/Spare Parts (Optional)	
MAP-200 controller for MAP-280 and MAP-230B	MAP-200A02
MAP-200 controller for MAP-280R	MAP-200A02R
MAP-200 safety interlock key	MAP-200A04
MAP-200 blanking plates (kit of 3)	MAP-200A06
MAP-200 stylus	MAP-200A07
MAP-200 3-slot mainframe flip-up feet	MAP-200A08
MAP-200 detachable side panels for bench-top use	MAP-200A11
MAP-200 handles for detachable side panels	MAP-200A12

Visual Basic and LabWindows are a registered trademarks of Microsoft Corporation.
LabVIEW is a registered trademark of National Instruments Corporation.
UL is a registered trademark of Underwriters Laboratories Inc.



Contact Us **+1 844 GO VIAVI**
(+1 844 468 4284)

To reach the VIAVI office nearest you,
visit viavisolutions.com/contact

© 2020 VIAVI Solutions Inc.
Product specifications and descriptions in this document are subject to change without notice.
map200-ds-lab-tm-ae
30149440 904 1110