

Brochure

VIAVI

Fiber Link and Network Characterization Solution

The Power of One performing the work of many
 The Fiber Link and Network Characterization Solution provides a comprehensive suite of point-to-point physical layer (including components) optical tests that measure and determine the quality and potential transmission capability of a given optical fiber link.

The T-BERD/MTS test platforms provide the ideal, true all-in-one link and network characterization solutions that meet the new high speed and broadband challenges. The T-BERD/MTS platforms are the only field test platforms capable of housing all test functions necessary for fiber link and network characterization offering a complete, versatile, and high performance solution.

Link and Network Characterization Test Parameters and Associated Tools	
Test Parameters	Measurement Tool
Connector inspection	Video inspection scope
Insertion loss measurements	Light source/power meter
Distance measurement (fiber length)	OTDR
Connectors/splice measurements	OTDR
Reflectance measurements	OTDR
Optical return loss (ORL) measurements	ORL meter or OTDR
Polarization mode dispersion (PMD) measurements	PMD analyzer
Chromatic dispersion (CD) measurements	CD analyzer
Attenuation profile (AP) measurements	Spectral analyzer



Key Features

- Complete suite of test functions for detailed link and network characterization
- Automated link characterization test sequence
- Most compact and fastest solution on the market
- Reduces fiber manipulation, limiting risk of errors

Applications

- Metro, long haul, and ultra long haul characterization
- Network characterization including amplifiers, compensators, and in-line ROADMs
- Configurable according to your test needs with metro range up to ultra long range capabilities
- Ready for any test scenarios: Terrestrial, submarine, and aerial network



T-BERD/MTS-6000

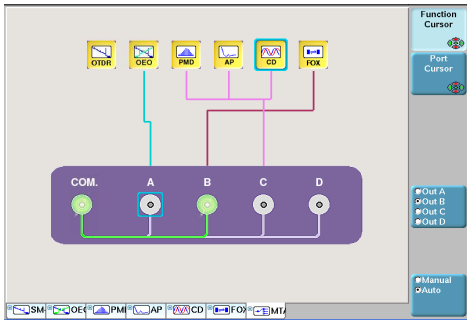


T-BERD/MTS-8000

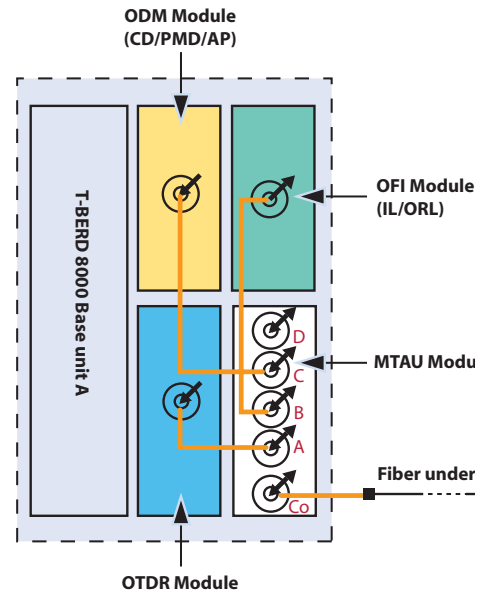
Fiber Link Characterization

VIAVI Solutions T-BERD/MTS-8000 solution uniquely includes all required tests in one single platform:

- OTDR + IL/ORL + CD + PMD + AP simultaneously
- Most compact fiber characterization solution
- Connection check capability with video inspection scope
- Speak while you test: use the built-in talk set option on a dark fiber to talk and transfer data



The One-Connect Solution with MTAU



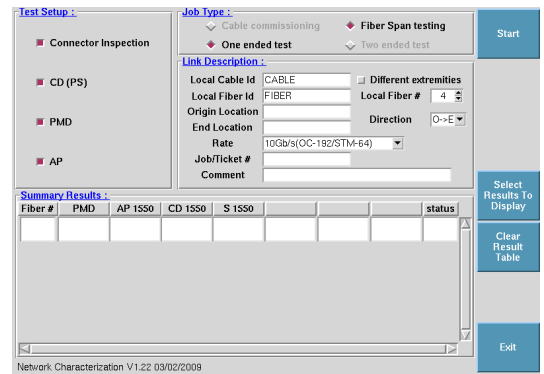
VIAVI T-BERD/MTS-8000 with plug-in modules and accessories for fiber link characterization

Optical Network Characterization

The VIAVI T-BERD/MTS-8000 and its high-performance Optical Dispersion Module (ODM) enable technicians to provide network baseline measurements before turning up the transmission system.

- Perform CD, PMD, and AP tests with all network elements in-line as well as through amplifiers
- Perform end-to-end measurement CD test to confirm the correct amount of compensation implemented
- Perform the end-to-end PMD measurement to verify the insertion of network elements do not add excessive PMD
- Conduct AP testing to confirm the location of optical amplifiers and verify loss characteristics over wavelength of fiber links

Contact VIAVI or your regional sales representative for specific ordering information.



Single menu configuration for all 3 tests and connector inspection



VIAVI Network Characterization Solution with T-BERD/MTS-6000 and ODM module



Contact Us **+1 844 GO VIAVI**
(+1 844 468 4284)

To reach the VIAVI office nearest you, visit viavisolutions.com/contact

© 2021 VIAVI Solutions Inc. Product specifications and descriptions in this document are subject to change without notice. Patented as described at viavisolutions.com/patents/fiberlink-br-fop-tm-ae 30162758 900 0709