

VIAVI

Xgig 5P8 Analyzer Platform

for PCI Express® 5.0

Provides full-speed 32Gbps data capture, enabling detailed functional and performance analysis of PCIe protocol

The Xgig® 5P8 platform provides protocol analysis for PCIe 5th generation traffic at all layers of the stack. It supports link widths up-to 8-lanes, and link speeds to 32 GT/s.

Providing both PCIe protocol analysis and jamming functions, the Xgig 5P8 Protocol Analyzer expands the family of VIAVI protocol analysis products. In today's complex, multiprotocol environments where integrated analysis with other interfaces such as Ethernet, SAS, and FC are required, the Xgig 5P8 connects with other VIAVI protocol analyzers designed for these protocols to provide time correlated multiprotocol views.

The Xgig 5P8 chassis has 128 GB of memory; 64GB for upstream and 64GB for downstream traffic capture. The chassis provides advanced PCIe and NVMe level trigger and search capabilities designed to reduce debug and problem resolution down time. Interposer autotuning greatly simplifies, and speeds system use and enables repeatable capture results.



Features

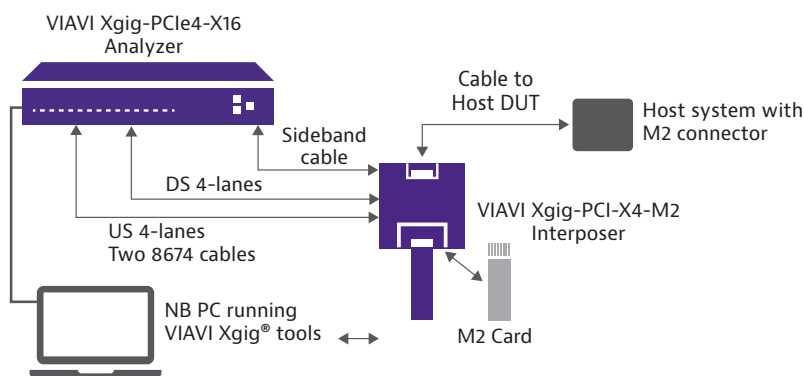
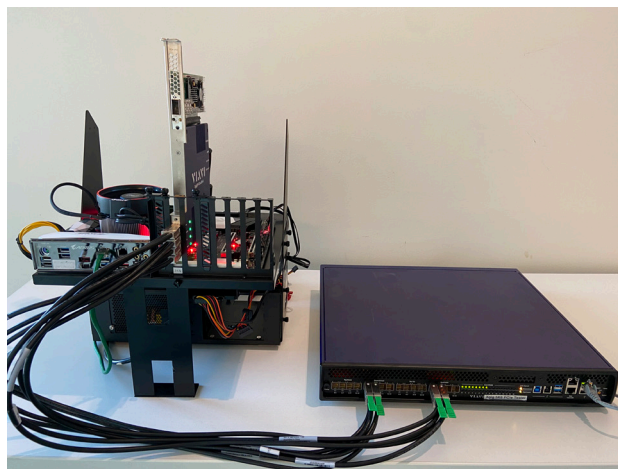
- 32 GT/s, PCIe 5.0 data rate operation. Fully compatible with other PCIe data rates of 2.5, 5.0, 8.0 and 16.0GTps
- Link widths up to 8-lanes
- 128GB memory (64GB Up Stream and 64GB Down Stream)
- Memory segmentation for capture of multiple traces
- Host-Client connection for remote debugging using Ethernet or local debugging using USB
- Decodes all PCIe and NVMe traffic at all layers of the stack including the TLP, DLLP, and PHY layer logic sub-blocks
- Trigger and Search events include training sequences, ordered sets, queue pairs, PRPs, Scatter/Gather Lists (SGL) etc.
- Cascade up to four Xgig captures into a single trace view
- Full support of LTSSM for analysis
- Field replaceable modular fan and power supply assemblies
- LED's give quick indicators of power and status
- Size (W x D x H): 17.0 x 14.5 x 2.3 in; 43.2 x 36.8 x 5.8 cm
- Weight: 15 lbs; 6.8 kg
- Power: 100 – 240 VAC, 450W maximum
- Works with new Gen5 interposers
- Works with Gen4 interposers for CEM slots, Flying Lead probes, U.2 (SFF-8639), M.2, OCulink, and others
- Fully supported by Xgig™ tools including Trace Control and Expert

Additional features include configuration space viewer, PCIe link performance measurements, trace view packet compression, and sideband signal triggers for PERST#, PEDET#, PEWAKE#, and CLKREQ#. Multicolored LEDs on the frontpanel specify Link Speed, Lane Width, and Signal Quality.

Applications

The VIAVI 5P8 hardware chassis and complementary Xgig software tools support the latest PCIe 5.0 and NVMe specifications. Analysis will alert the user to all protocol errors at every layer of the PCIe stack, including state and sub-state level errors within the LTSSM viewer.

When purchasing the 5P8 platform, also select an analyzer licenses, and interposers to fit your specific application requirements.



Kit Contents

Item	Description	Qty
1	Xgig5P-PCIe5-X8-PF, 8-lane chassis for PCIe 5.0	1
2	Mechanical accessory kit (includes: Cat5e and USB cables, USB recovery drive, power cord)	1
3	Rack mounting tray	1
4	Hard-shell, wheeled travel case with padding	1

Ordering Information

Part Number	Description
Xgig5P-PCIe5-X8-PF	8-lane, 32GT/s PCIe 5.0 Analyzer Platform Chassis with 1-yr HW and 1-yr FW/SW maintenance
Xgig5P-PCIe5-X8-PF-H1	Optional 1-year extended hardware warranty
Xgig5P-PCIe5-X8-PF-M1	Optional 1-year extended software maintenance



PCI Express® and the PCIe® design mark are registered trademarks and/or service marks of PCI-SIG.



Contact Us **+1 844 GO VIAVI**
(+1 844 468 4284)

To reach the VIAVI office nearest you,
visit viavisolutions.com/contact

© 2020 VIAVI Solutions Inc.
Product specifications and descriptions in this document are subject to change without notice.
xgig-5p8-ds-snt-nse-ae
30191112 900 0420