

# DSAM Digital Quality Index (DQI)

## A New Technique for Assessing Downstream Digital Services

### Overview

As cable operators move to digital simulcast and all digital networks, the majority of downstream channels are transported on digital quadrature amplitude modulation (QAM) carriers. How are intermittent transport issues detected within those downstream digital services, and are customer quality expectations being met?

This paper proposes a new measurement that is based on a new technique concentrating on the condition of the raw information on the physical path. The measurement (patent pending) named Digital Quality Index, or DQI, is a real-time measurement that immediately detects intermittent issues and sustained issues within the stream. In comparison, the typical measurement used to check for these issues on a digital QAM carrier is the pre and post forward error correction (FEC) bit error ratio (BER). The BER measurement relies on actual errors and is slow to detect many issues. Also the slow measurement speed of BER causes users to limit measurements to a few channels, not the complete frequency spectrum.

### Accepted Field Testing Methods for Digital QAM Carriers on the Downstream

Analog video services have a unique characteristic that digital services do not. The experienced technician can view the resultant TV reception at the subscriber's premises and determine the problem often without test instruments. Test instruments verify the problem and quantify the issue with accepted measurements (such as level, carrier-to-noise and CSO/CTB). Digital services are considerably different. After the carrier is demodulated, the transmission quality can be determined by monitoring various test points on the demodulator and decoding hardware. Testing on specific program channels within the carrier (multiple broadcast channels within a single demodulated digital carrier are common) requires further test sophistication utilizing MPEG capabilities. Furthermore, since digital services have improved the subscriber experience, neither the Federal Communications Commission (FCC) in the United States, nor other similar agencies around the world, have required any performance testing of the digital carriers and has not suggested required digital testing methods to the industry.

### Drawback of Current Methods

The majority of digital field test equipment used today incorporate the same digital hardware components that reception equipment uses, such as a digital set top box or a digital TV. These components use numerous correction technologies to adjust the demodulated carrier correcting problems that were the result of transmission issues on the RF physical path. These technologies make the digital reception a superior quality service versus the older analog methods. Test instruments monitor these technologies to achieve a quantitative view of how hard the reception hardware is working to correct the physical path issues. The resultant measurements become an indicator of potential issues, not actual carrier quality. In some cases, the technologies can mask the issues since their intent is to correct issues before the user sees a problem. Utilizing the same technologies for test purposes is not as responsive as the old analog test measurements.

### What is the Goal of Field Testing?

The ideal goal of testing in the field is to identify network issues before services are affected and to fix the problem before the customer experiences any degradation of service. To accomplish this the technician needs to:

1. Determine there is indeed a problem
2. Segment where the problem is located
3. Fix the problem if it is determined to be in the field.

Quantifying the issue with standardized measurements is always preferred, but in the case of digital measurements, the current accepted measurements do not necessarily excel at tracking the problem, particularly if the issue is intermittent. Marginal digital reception can be extremely frustrating for both the subscriber and the technician. A good example is the so-called “cliff effect” displays a perfectly good picture one moment, and the picture is distorted with tiling effects or full freeze frame the next. Analog issues proportionally degrade the picture’s quality, and digital reception freezes either partially or completely. A means of measuring the real-time performance of the RF digital reception is needed to see quality fluctuations and log intermittent transient issues causing the momentary digital reception problems.

### Development of a real-time digital quality index measurement

Today, two prominent digital measurements are used in the field to locate problems. Modulation Error Ratio (MER) and Bit Error Rate (BER). An extension of BER is errored seconds (ES) and severely errored seconds (SES). These are severity readings that use the frequency of errors occurring within a second to arrive at a reading. One error within a second will count as one ES, while a specific quantity of errors within a second will count as one SES. MER is often compared to the digital equivalent of analog signal-to-noise ratio (SNR).

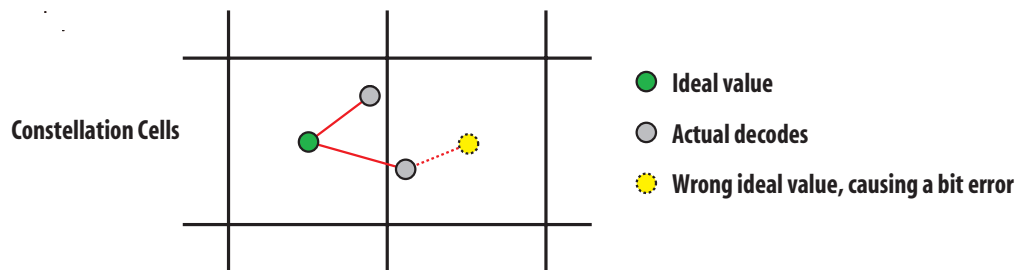


Figure 1. Distance from the ideal center target (error magnitude) equates directly to a calculated MER reading. If the error magnitude is sufficient to cause the dot (representing a received symbol) to appear in the adjacent target area, the wrong decoding will occur and an error is generated

A received QAM carrier is demodulated to a stream of QAM symbols consisting of In-phase and Quadrature components. The QAM data stream contains a sequence of such I-Q pairs. The pairs are often plotted on a Cartesian coordinate system to analyze the quality of the received signal. This plot is referred to as a constellation display of the QAM carrier. The coordinate system is divided into squares, with the number of squares matching the QAM modulation rate. When an ideal QAM signal is received and decoded, each symbol’s I-Q pair will fall at the center of one of the squares. When a non-ideal signal is received, the impaired signal will cause each I-Q pair to fall some distance from the center of a square. The decoder assumes that the intended symbol is that of the square containing the I-Q pair, and the

linear distance from the actual I-Q pair to the center of the square is the amount of error present in the signal when that symbol was received. The average signal magnitude divided by the average error magnitude is the signal-to-noise ratio (SNR). Experienced technicians use the constellation display to further help identify the source of the problem.

Test instruments typically use SNR to compute and display the modulation error ratio (MER) and to display a constellation graph in which I-Q pairs are plotted. Neither provide an effective estimate of bit error rate.

MER is implemented with averaging of the SNR values in both hardware and software. The averaging tends to hide the effects of short-duration noise, but the problem is intensified by the logarithmic scaling function needed to convert error magnitude to MER. The graph below shows how the scaling function makes average MER more sensitive to small errors than to large errors.

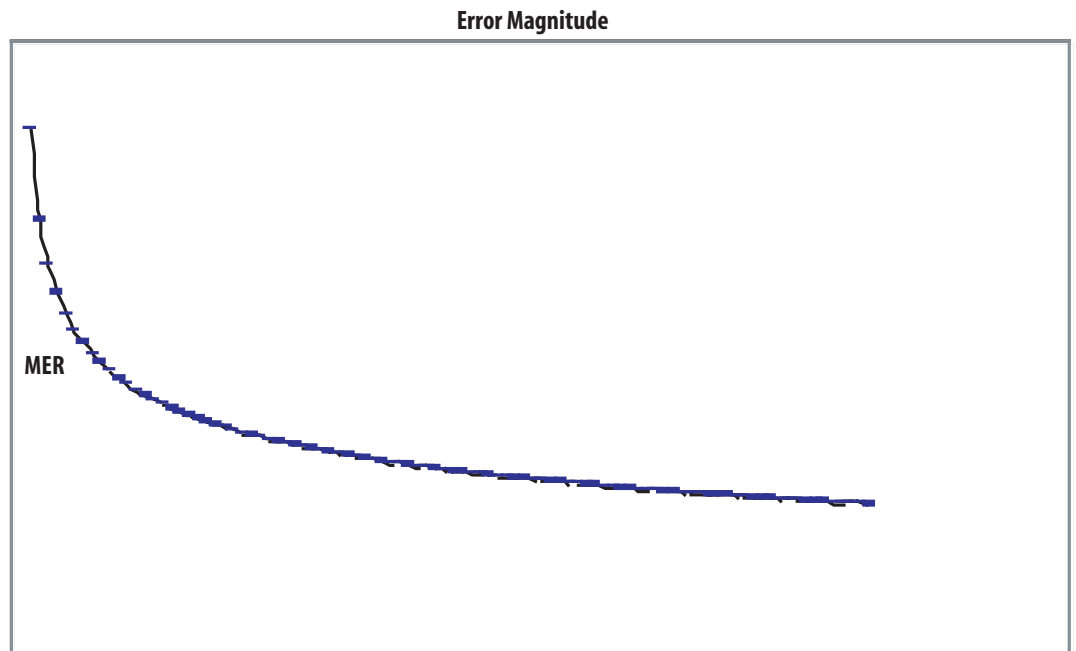


Figure 2. A plot of MER versus Error Magnitude shows MER is more sensitive to small errors than to large errors

The above graph shows the following:

- When the received signal is clean, the error magnitude is small
- Small changes in error magnitude produce large changes in MER
- The average MER is strongly affected by these large changes
- When impairments are present, the error magnitude is large
- Large changes in error magnitude produce only small changes in MER
- Short noise bursts have little effect on the average MER measurement

Digital Quality Index (DQI) is a simple indicator of the overall quality of a QAM digital stream. It reports the signal quality as a single number, with 0 being lowest quality and 10 being highest. Signal quality readings of 6 or 7 indicate that impairments are detected but are most likely corrected by FEC and interleaving. Readings of 1 to 4 indicate that subscriber service is most likely being adversely affected by the impairments. Readings of 8 and higher are typically not detected by FEC BER.

### How DQI Works

DQI is a statistical measure of the signal impairments that can cause uncorrected bit errors, resulting in packet loss. It also detects impairments that have not yet caused any Pre BER errors. It provides a continuously updating measure once per second. Each update provides a statistical analysis of 98% of the QAM symbols received during the past second. It will detect and report the severity of any distortion, ingress, or other impairment to the received signal. Because it samples QAM symbols, the decoder must acquire and maintain QAM lock in order to obtain DQI readings.

DQI uses the raw digitized data directly from the demodulator. DQI divorces itself from the digital technology that is designed to correct the received signal. While this technology may be good for the subscriber to consume the service, it masks issues that occurred on the physical distribution plant, making it difficult to locate issues that should be corrected. This raw data is essentially analog components in digital form that represent the signal-to-noise ratio (SNR) of the received carrier. The simplified diagram below illustrates where the conventional measurement data comes from versus the DQI measurement path. For example, for DQI to see narrow ingress pulses, the estimated SNR must be sampled at a higher rate than would be used to measure MER.

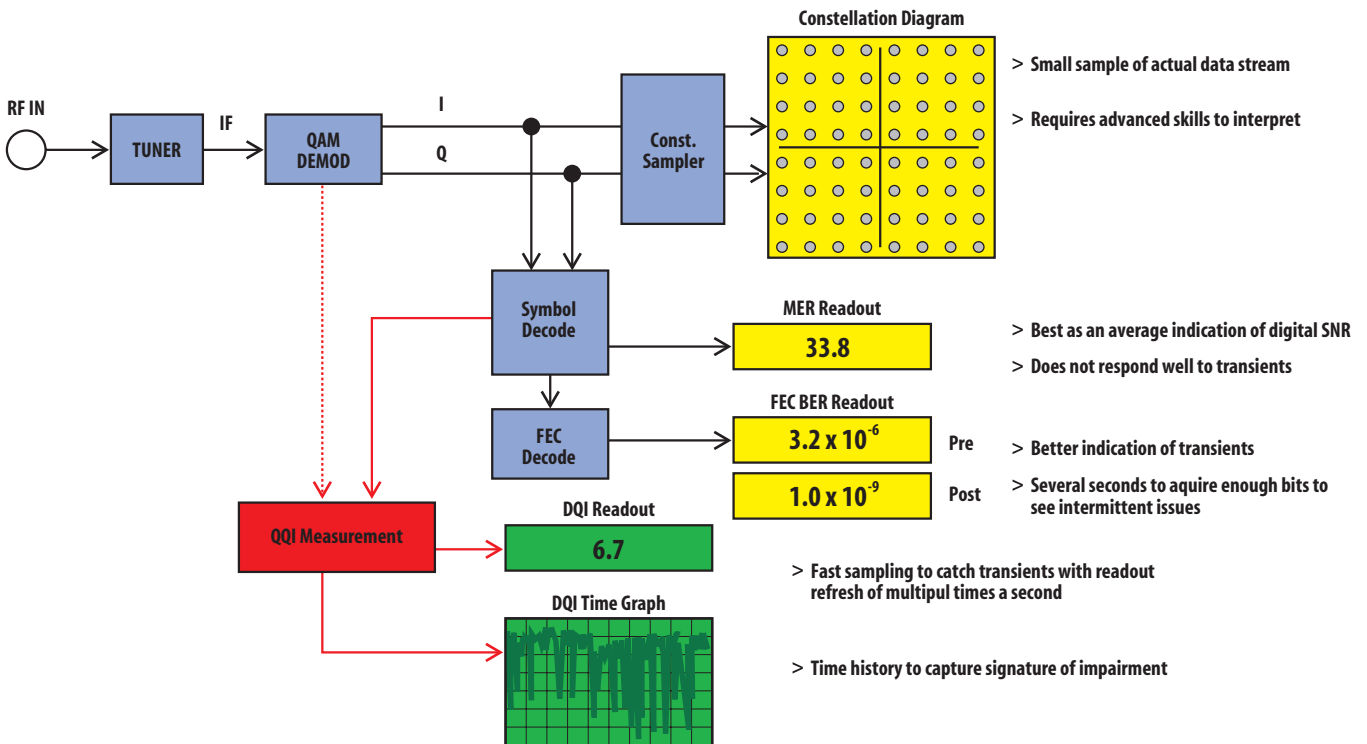


Figure 3. Simplified diagram illustrating where conventional measurement data originates versus the DQI measurement path.

### Enhancing Traditional Troubleshooting with DQI

		Traditional Measurement		DQI
		Characteristic	User Experience	User Experience
BER	Samples millions of bits before presenting a reliable reading	Must wait at least 10 to 30 seconds for a reliable initial reading.	<b>Immediate:</b> Sampling engine is less than 100 microseconds; display refresh is once a second	
	Displayed in scientific notation	Confusing to interpret and compare	<b>Easy:</b> 0 to 10 readout, 10 being highest quality	
	Uses results of FEC working to correct errors that are the results of constellation decision boundaries being violated	Observes FEC error correction process by noting pre- and post- error reading. Any post errors are passed to the CPE and will affect service.	<b>Sensitive:</b> Presents an indication of all deviations from an ideal constellation, i.e. DQI is sensitive to error magnitudes before errors occur and error magnitudes that result in errors	
Constellation	Constellation accumulates a small sample of the bit stream to show a pattern that is indicative of any source of continuous steady state impairment.	Excellent means of segmenting a sustained issue to the headend, distribution network, or drop.	<b>Adds impulse detection:</b> Further qualifies issue by displaying a time history which emphasizes transient issues within the steady state impairment.	
	Constellation is specifically very telling at the extremes of the display such as in the corners.	A zoom to the corners of the constellation can further lead one to the cause of the impairment Good pass/fail figure to test against limits for averaged steady state signal quality over time	<b>Sensitive:</b> DQI modeling includes corner I and Q data to increase sensitivity to the corner symbols	
MER	MER is an accumulative measurement for steady state conditions	Good pass/fail figure to test against limits for averaged steady state signal quality over time	<b>Enhanced troubleshooting:</b> Helps segmentation of issue with a more responsive measurement readout and time history display	

## Case Studies

### High frequency QAMs have margin issues

An operator reported that he wanted to monitor a high frequency channel placed at the rolloff region of their 760 MHz plant. The channel was channel 121 at 777 MHz and was the guide channel on a 256 QAM carrier. This meant that the channel was more susceptible to margin issues than a channel with lesser data rate. BER readings did not reveal many, if any, errors and MER showed acceptable levels. The DQI measurement was used and consistently showed a value that stayed just above midrange of the measurement (DQI of 5 to 6). Now that the operator has a means of checking channel 121 with a measurement that is more sensitive than MER and BER, he is more confident when pushing the limits of his plant. Additionally, he noticed that there were other impairments that would be damaging to a service such as digital video (DQI dropping to 2 or lower), but with forgiving applications such as their guide data, this use of the extended spectrum was acceptable.

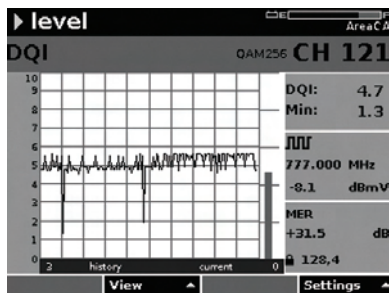


Figure 4. DQI showing a constant degradation of the signal quality as a result of known system bandwidth roll off. DQI also shows some intermittent severe issues that may not be acceptable in an application

### Tiling on the digital video channels, as well as phone and HSD disruptions

This site was experiencing intermittent issues on their 256 QAM channels causing occurrences of tiling on the digital video channels, as well as phone service and HSD disruptions. The initial problem was detected by the installer who witnessed the issue at the customer premise. An advanced maintenance technician was sent to the location to identify and resolve the issue. Using a variety of handheld QAM analyzers the issue with the service could not be seen using traditional MER or BER measurements. An MPEG analyzer detected occasional synch loss errors signifying that an issue was present on the channels. The issue was finally tracked down to an event occurring in an amplifier's AGC circuitry. The event caused random signal interference but would not show up as a traditional BER issue. Testing with a DQI capable meter the measurement revealed that DQI easily displayed the sporadic nature of the impairment. Plotting a time history of the DQI measurement showed a characteristic signature of the issue that will help the technician identify similar issues in the future.

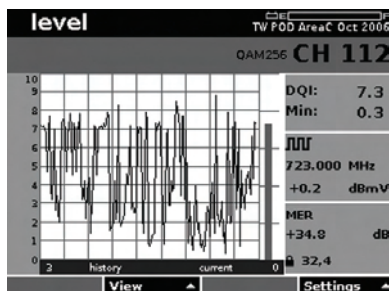


Figure 5. Plotting a time history of the DQI measurement can show a characteristic signature of the issue that will help the technician identify similar issues in the future.

### Digital High Definition Video intermittently impacted

Intermittent issues are the most difficult to locate. Traditional measurements such as MER and BER are too slow to capture issues that only occasionally arise. DQI is real-time and samples 98% of the demodulated stream. The following example could occasionally be caught with BER but DQI captures it instantly when it happens and plots a time history that gives the technician a further dimension of the impairment.

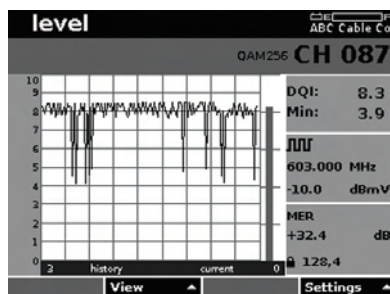


Figure 6. The DQI display shows three minutes of data. This display shows a point where over a minute passed before DQI dropped to a point where BER might capture the issue.

All statements, technical information and recommendations related to the products herein are based upon information believed to be reliable or accurate. However, the accuracy or completeness thereof is not guaranteed, and no responsibility is assumed for any inaccuracies. The user assumes all risks and liability whatsoever in connection with the use of a product or its application. JDSU reserves the right to change at any time without notice the design, specifications, function, fit or form of its products described herein, including withdrawal at any time of a product offered for sale herein. JDSU makes no representations that the products herein are free from any intellectual property claims of others. Please contact JDSU for more information. JDSU and the JDSU logo are trademarks of JDS Uniphase Corporation. Other trademarks are the property of their respective holders. ©2007 JDS Uniphase Corporation. All rights reserved. 30149126 000 0607 DSAMDQLAN.CAB.TM.AE

**Test & Measurement Regional Sales**

<b>NORTH AMERICA</b> TEL: 1 866 228 3762 FAX: +1 301 353 9216	<b>LATIN AMERICA</b> TEL: +55 11 5503 3800 FAX: +55 11 5505 1598	<b>ASIA PACIFIC</b> TEL: +852 2892 0990 FAX: +852 2892 0770	<b>EMEA</b> TEL: +49 7121 86 2222 FAX: +49 7121 86 1222	<b>WEBSITE: <a href="http://www.jdsu.com">www.jdsu.com</a></b>
---	--	---	---	--