



# MAP RF Switch

(mRFS-A1)

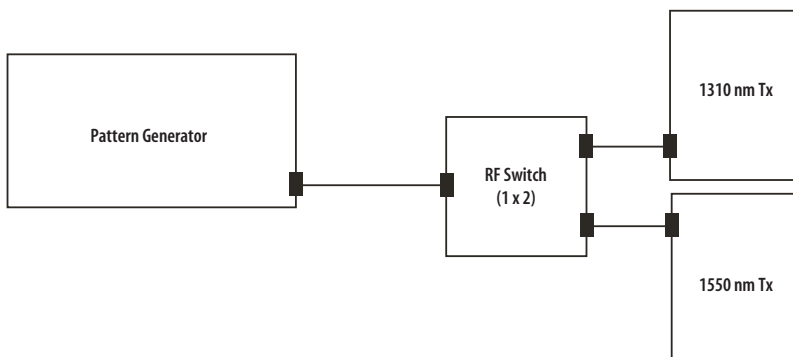
The Multiple Application Platform (MAP) RF Switch (mRFS-A1) is optimized for the industry-leading Viavi Solutions™ MAP-200 platform.

Based on the previous-generation MAP, the MAP-200 is the first photonic layer lab and manufacturing platform that is local area network (LAN) Extensions for Instrumentation (LXI)-compliant by conforming to the required physical attributes, Ethernet connectivity, and interchangeable virtual instrument (IVI) drivers. The MAP-200 platform is optimized for density and maximum configurability to meet specific application requirements in the smallest possible footprint. The mRFS-A1 is a 50-Ω coaxial switch for routing RF and microwave signals at frequencies up to 26.5 GHz. Composed of single and dual 1x2 and bypass-type switches, these cassettes are an ideal solution for routing 10 Gb/s signals between power meters, receivers, and spectrum analyzers. The switches are based on mechanical latching actuators with a million-cycle lifetime.

The single and independent dual 1x2 configurations units feature dual built-in 50-Ω terminators for each of the unused ports, allowing efficient use as an A- or B-source selector.

The single and independent dual bypass switches feature a single built-in 50-Ω termination on one of the 'insert' loop ports, which is activated when switch is in the bypass (straight through) state.

## MAP RF Switch Application



### Key Features

- Single or independent dual configurations 1 x 2 and bypass versions
- Mechanically latching
- Built-in 50-Ω terminations

### Applications

- Data source selection
- Routing to main analyzer

### Safety Information

- The MAP RF Switch, when installed in a MAP chassis, complies to CE, CSA/UL/IEC61010-1, plus LXI Class C requirements.

## Specifications

Parameter	Specification
Frequency Range	DC to 26.5 GHz
Insertion loss (IL)	0.25dB: DC to 2GHz 0.50 dB: 2 to 18 GHz 1.25 dB: 18 to 26.5 GHz
IL repeatability	0.03 dB: DC to 18 GHz 0.50 dB: 18 to 26.5 GHz
Isolation	90dB:DC to 18GHz 50 dB: 18 to 26.5 GHz
SWR through line	<1.15: DC to 2 GHz <1.25: 2 to 12.4 GHz <1.40: 12.4 to 18 GHz <1.80: 18 to 26.5 GHz
SWR into load	<1.15: DC to 2 GHz <1.25: 2 to 12.4 GHz <1.30: 12.4 to 18 GHz <1.80: 18 to 26.5 GHz
Connectors	3.5 mm female

## Ordering Information

Product Code	Description
<b>Base Options (Required, select one)</b>	
MRFS-A1112	MAP RF switch cassette, single 1x2 switch
MRFS-A112B	MAP RF switch cassette, single bypass switch
MRFS-A1212	MAP RF switch cassette, dual 1x2 switch MAP
MRFS-A1112	RF switch cassette, dual bypass switch

UL is a registered trademark of Underwriters Laboratories Inc.



Contact Us **+1 844 GO VIAVI**  
(+1 844 468 4284)

To reach the Viavi office nearest you,  
visit [viavisolutions.com/contacts](http://viavisolutions.com/contacts).

© 2015 Viavi Solutions Inc.  
Product specifications and descriptions in this  
document are subject to change without notice.  
mappcs-ds-lab-tm-ae  
30149429 901 0409